

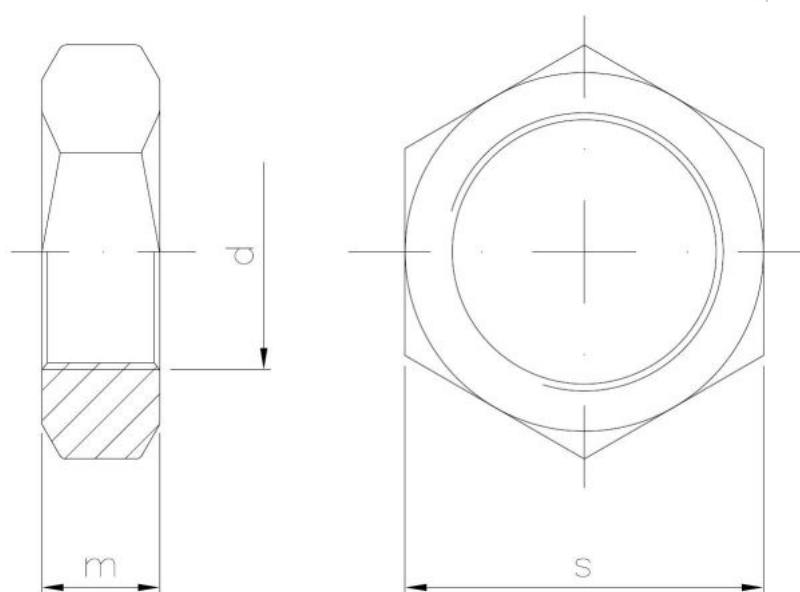
**Standards:**

DIN 439  
ISO 4035  
PN-M 82153



Materiaali:

A2



Dimensions

Material index	d	s [mm]	m [mm]	Materiaaleja
I1503050A2D439T	M5	8.0	5.0	A2 (stal nierdzewna)
I1503040A2D439T	M4	7.0	5.0	A2 (stal nierdzewna)
I1503200A2D439S	M20	30.0	20.0	A2 (stal nierdzewna)
I1503160A2D439S	M16	24.0	16.0	A2 (stal nierdzewna)
I1503120A2D439T	M12	19.0	12.0	A2 (stal nierdzewna)
I1503100A2D439T	M10	17.0	10.0	A2 (stal nierdzewna)
I1503080A2D439T	M8	13.0	8.0	A2 (stal nierdzewna)
I1503060A2D439T	M6	10.0	6.0	A2 (stal nierdzewna)