

55.18
SF

SuperFix Muovitulppa + uppokantaruuvi

SEND THE INQUIRY

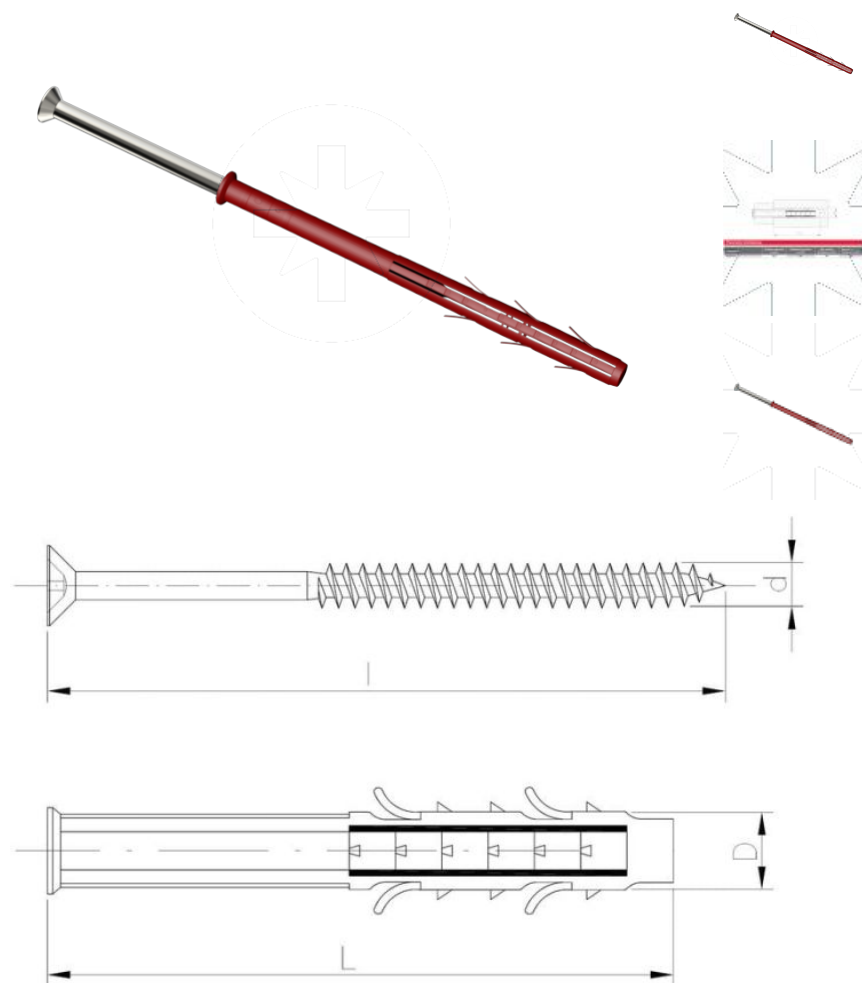
+358 103 195 100

Standards:

ITB-KOT-2020/1314



Materiaali:



Dimensions

| Material index | D [mm] | L [mm] | d [mm] | l [mm] | Avainkolo | Materiaaleja | Yksikkö |
|----------------|--------|--------|--------|--------|-----------|---------------------------------|---------|
| 551810150PAT | 10 | 150 | 7 | 165 | TX | PA (poliamid),St (stal węglowa) | TYS |
| 551810130PAT | 10 | 130 | 7 | 145 | TX | PA (poliamid),St (stal węglowa) | TYS |
| 551810110PAT | 10 | 110 | 7 | 125 | TX | PA (poliamid),St (stal węglowa) | TYS |
| 551810090PAT | 10 | 90 | 7 | 105 | TX | PA (poliamid),St (stal węglowa) | TYS |