

52.35
MPT
3

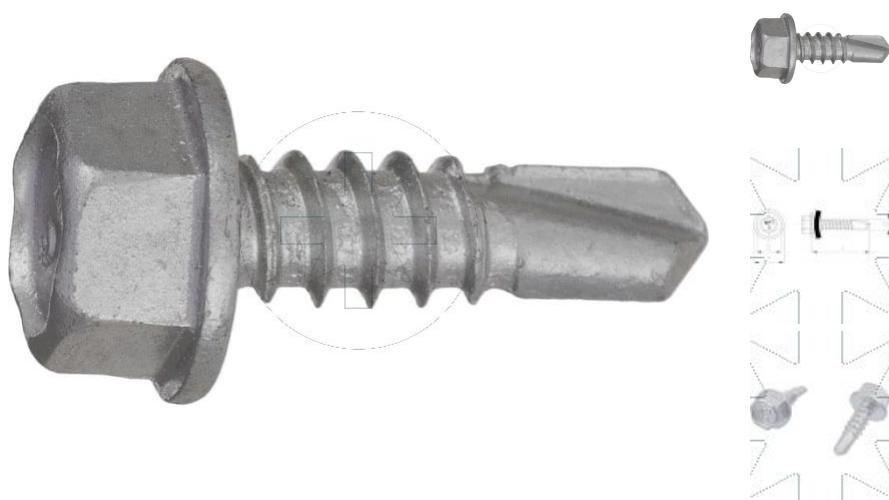
MPZ 03 Porakärkiruuvi keraamisella pinnoitteella

SEND THE INQUIRY

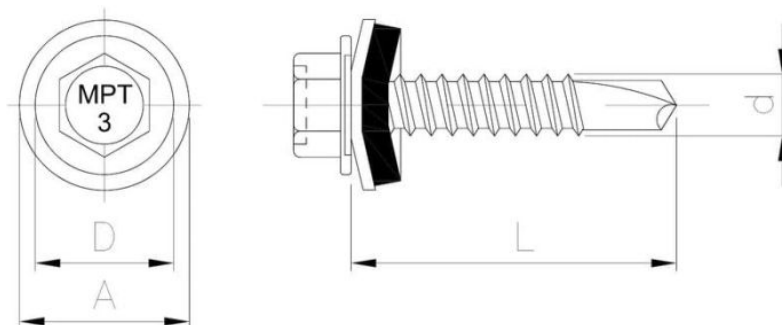
+358 103 195 100

Standards:

ETA-18/0371



Pinnoite tyyppi:



Dimensions

Material index	d [mm]	L [mm]	D [mm]	A [mm]	Pinnoite tyyppi
52350048055A14H05T	4.8	55	10.5	14	Silver Ruspert
52350048055H05T	4.8	55	10.5	-	Silver Ruspert
52350048045A14H05T	4.8	45	10.5	14	Silver Ruspert
52350048045H05T	4.8	45	10.5	-	Silver Ruspert
52350048035H05T	4.8	35	10.5	-	Silver Ruspert
52350048035A14H05T	4.8	35	10.5	14	Silver Ruspert
52350048032A14H05T	4.8	32	10.5	14	Silver Ruspert
52350048032H05T	4.8	32	10.5	-	Silver Ruspert
52350048025A14H05T	4.8	25	10.5	14	Silver Ruspert
52350048025H05T	4.8	25	10.5	-	Silver Ruspert
52350048022H05T	4.8	22	10.5	-	Silver Ruspert
52350048022A14H05T	4.8	22	10.5	14	Silver Ruspert
52350048019H05T	4.8	19	10.5	-	Silver Ruspert
52350048019A14H05T	4.8	19	10.5	14	Silver Ruspert
52350048016H05T	4.8	16	10.5	-	Silver Ruspert
52350048016A14H05T	4.8	16	10.5	14	Silver Ruspert