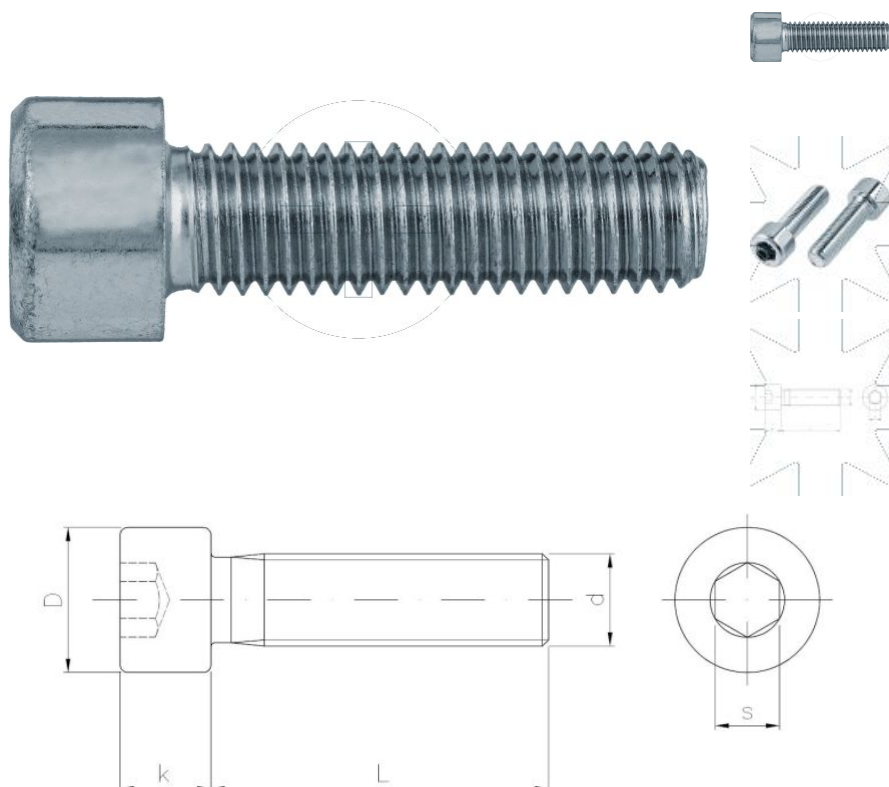


Standards:

DIN 912
GOST 11738-84
ISO 4762
PN-M 82302

**Dimensions**

Material index	d	L [mm]	D [mm]	k [mm]	s [mm]	Materiaaleja
I1106100090A2D912T	M10	90	16.0	10.0	8.0	A2 (stal nierdzewna)
I1106060080A4D912T	M6	80	10.0	6.0	5.0	A4 (stal kwasoodporna)
I1106080080A2D912T	M8	80	13.0	8.0	6.0	A2 (stal nierdzewna)
I1106080080A4D912S	M8	80	13.0	8.0	6.0	A4 (stal kwasoodporna)
I1106100080A2D912T	M10	80	16.0	10.0	8.0	A2 (stal nierdzewna)
I1106160080A2D912S	M16	80	24.0	12.0	14.0	A2 (stal nierdzewna)
I1106050008A2D912T	M5	8	8.5	5.0	4.0	A2 (stal nierdzewna)
I1106060060A4D912T	M6	60	10.0	6.0	5.0	A4 (stal kwasoodporna)
I1106080060A4D912T	M8	60	13.0	8.0	6.0	A4 (stal kwasoodporna)
I1106120060A2D912S	M12	60	18.0	12.0	10.0	A2 (stal nierdzewna)
I1106160060A2D912S	M16	60	24.0	12.0	14.0	A2 (stal nierdzewna)
I1106050050A4D912T	M5	50	8.5	5.0	4.0	A4 (stal kwasoodporna)
I1106060050A4D912T	M6	50	10.0	6.0	5.0	A4 (stal kwasoodporna)
I1106080050A4D912S	M8	50	13.0	8.0	6.0	A4 (stal kwasoodporna)
I1106060045A4D912T	M6	45	10.0	6.0	5.0	A4 (stal kwasoodporna)
I1106100045A2D912T	M10	45	16.0	10.0	8.0	A2 (stal nierdzewna)
I1106050040A4D912T	M5	40	8.5	5.0	4.0	A4 (stal kwasoodporna)
I1106120040A2D912S	M12	40	18.0	12.0	10.0	A2 (stal nierdzewna)
I1106060035A4D912T	M6	35	10.0	6.0	5.0	A4 (stal kwasoodporna)

Material index	d	L [mm]	D [mm]	k [mm]	s [mm]	Materiaaleja
I1106060030A4D912T	M6	30	10.0	6.0	5.0	A4 (stal kwasoodporna)
I1106080030A4D912T	M8	30	13.0	8.0	6.0	A4 (stal kwasoodporna)
I1106040025A4D912T	M4	25	7.0	4.0	3.0	A4 (stal kwasoodporna)
I1106050025A4D912T	M5	25	8.5	5.0	4.0	A4 (stal kwasoodporna)
I1106060025A4D912T	M6	25	10.0	6.0	5.0	A4 (stal kwasoodporna)
I1106080025A4D912S	M8	25	13.0	8.0	6.0	A4 (stal kwasoodporna)
I1106040020A4D912T	M4	20	7.0	4.0	3.0	A4 (stal kwasoodporna)
I1106050020A4D912T	M5	20	8.5	5.0	4.0	A4 (stal kwasoodporna)
I1106080020A4D912S	M8	20	13.0	8.0	6.0	A4 (stal kwasoodporna)
I1106100020A4D912S	M10	20	16.0	10.0	8.0	A4 (stal kwasoodporna)
I1106050016A4D912T	M5	16	8.5	5.0	4.0	A4 (stal kwasoodporna)
I1106060016A4D912T	M6	16	10.0	6.0	5.0	A4 (stal kwasoodporna)
I1106080016A4D912T	M8	16	13.0	8.0	6.0	A4 (stal kwasoodporna)
I1106100016A2D912T	M10	16	16.0	10.0	8.0	A2 (stal nierdzewna)
I1106080012A2D912T	M8	12	13.0	8.0	6.0	A2 (stal nierdzewna)
I1106100100A2D912T	M10	100	16.0	10.0	8.0	A2 (stal nierdzewna)
I1106060010A4D912S	M6	10	10.0	6.0	5.0	A4 (stal kwasoodporna)