

52.67
MPX
12

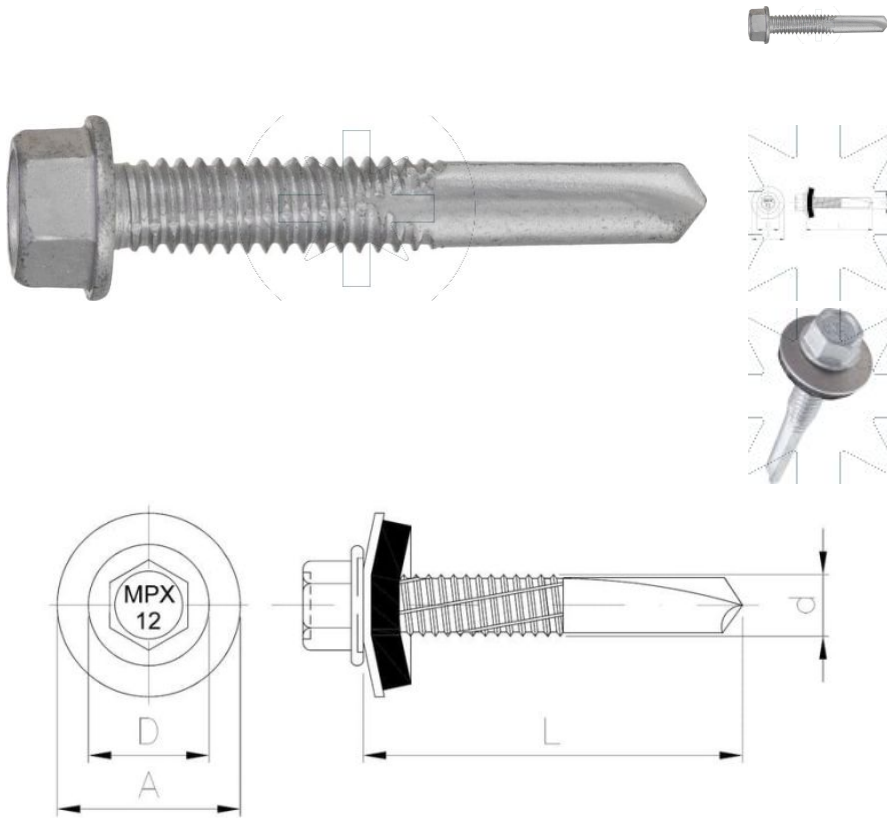
MPX 12 Bi-metalli porakärkiruuvi

SEND THE INQUIRY

+358 103 195 100

Standards:

ETA-18/0371



Pinnoite tyyppi:

Materiaali:

Dimensions

| Material index | d [mm] | L [mm] | A [mm] | D [mm] | Materiaaleja | Pinnoite tyyppi |
|--------------------|--------|--------|--------|--------|--------------|-----------------|
| 5267055040XH05T | 5.5 | 40 | - | 11 | Bi-Metal | Silver Ruspert |
| 5267055040I14XH05T | 5.5 | 40 | 14 | 11 | Bi-Metal | Silver Ruspert |
| 5267055040I16XH05T | 5.5 | 40 | 16 | 11 | Bi-Metal | Silver Ruspert |