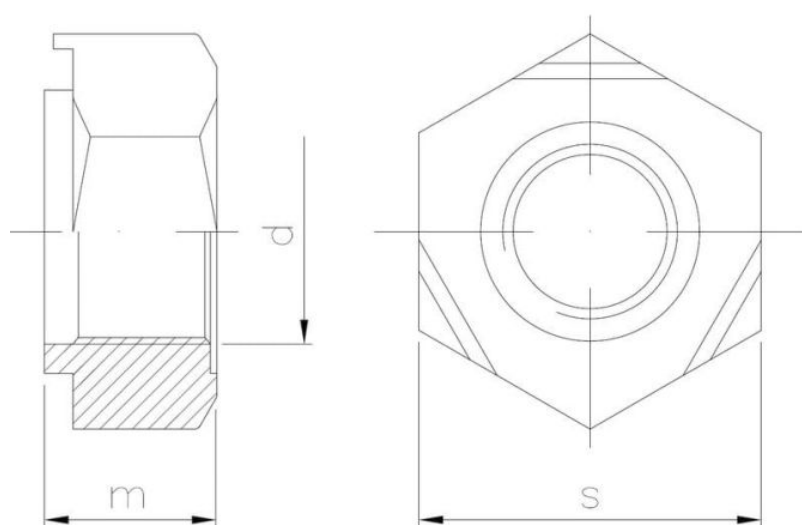


Standards:

DIN 929
PN 82169



Pinnoite tyyppi:



Dimensions

Material index	d	m [mm]	s [mm]	Pinnoite tyyppi
1521080SD929T	M8	6.5	14.0	S - surowy
1521060SD929T	M6	5.0	11.0	S - surowy
1521040SD929T	M4	3.5	9.0	S - surowy
1521160SD929T	M16	13.0	24.0	S - surowy
1521120SD929T	M12	10.0	19.0	S - surowy
1521100SD929T	M10	8.0	17.0	S - surowy