

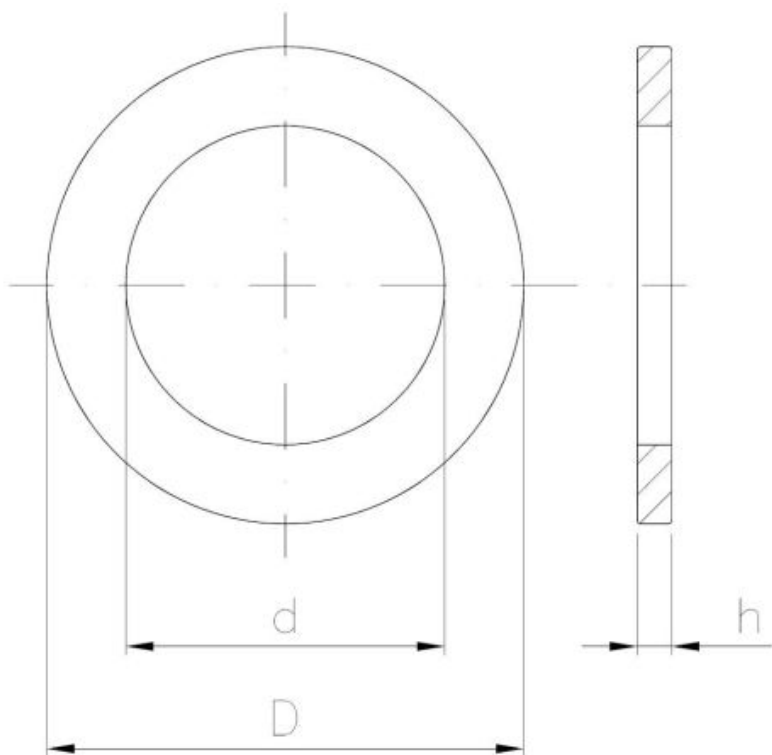
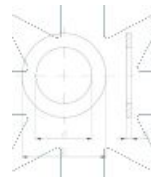
**Standards:**

DIN 125  
GOST 11379-68  
ISO 7089, ISO 7091  
PN-M 82005

Materiaali:

A2

A4



## Dimensions

Material index	d [mm]	D [mm]	h [mm]	Materiaaleja
I1401040A2D125T	4.3	9.0	0.8	A2 (stal nierdzewna)
I1401200A2D125T	21.0	37	3.0	A2 (stal nierdzewna)
I1401160A2D125T	17.0	30	3.0	A2 (stal nierdzewna)
I1401160A4D125S	17.0	30	3.0	A4 (stal kwasoodporna)
I1401140A2D125S	15.0	28	2.5	A2 (stal nierdzewna)
I1401120A4D125S	13.0	24	2.5	A4 (stal kwasoodporna)
I1401120A2D125S	13.0	24	2.5	A2 (stal nierdzewna)
I1401100A2D125T	10.5	20	2.0	A2 (stal nierdzewna)
I1401100A4D125S	10.5	20	2.0	A4 (stal kwasoodporna)

<b>Material index</b>	<b>d [mm]</b>	<b>D [mm]</b>	<b>h [mm]</b>	<b>Materiaaleja</b>
I1401080A2D125T	8.4	16	1.6	A2 (stal nierdzewna)
I1401080A4D125T	8.4	16	1.6	A4 (stal kwasoodporna)
I1401060A4D125T	6.4	12	1.6	A4 (stal kwasoodporna)
I1401060A2D125T	6.4	12	1.6	A2 (stal nierdzewna)
I1401050A2D125T	5.3	10	1.0	A2 (stal nierdzewna)
I1401050A4D125T	5.3	10	1.0	A4 (stal kwasoodporna)