

52.65  
MPX  
8

# MPX 8 Bi-metalli porakärkiruuvi

SEND THE INQUIRY

+358 103 195 100

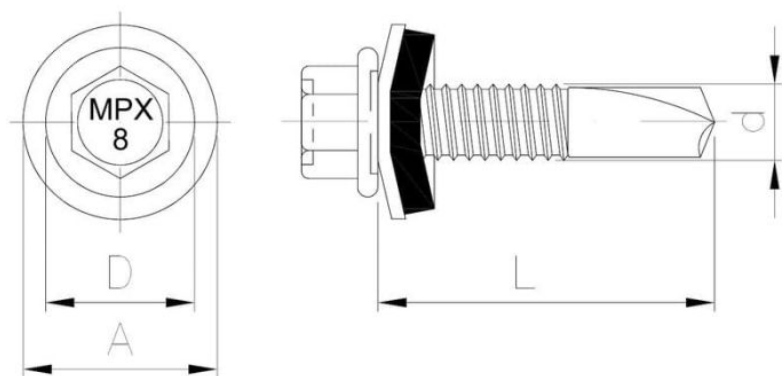
**Standards:**

ETA-18/0371



Pinnoite tyyppi:

Materiaali:



## Dimensions

Material index	d [mm]	L [mm]	D [mm]	A [mm]	Materiaaleja	Pinnoite tyyppi
5265055035XH05T	5.5	35	11.0	-	Bi-Metal	Silver Ruspert
5265055032I16XH05T	5.5	35	11.0	16	Bi-Metal	Silver Ruspert
5265055032I14XH05T	5.5	35	11.0	14	Bi-Metal	Silver Ruspert