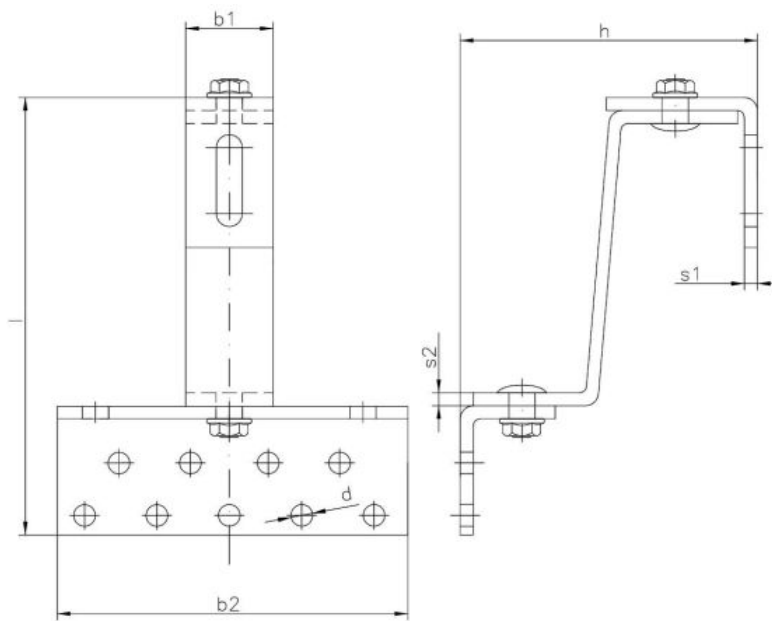


Materiaali:

A2



Dimensions

| Material index | d [mm] | b1 [mm] | b2 [mm] | h [mm] | l [mm] | s1 [mm] | Yksikkö |
|----------------|--------|---------|---------|--------|--------|---------|---------|
| I694214056A2T | 9 | 30 | 140 | 145 | 176 | 5 | TYS |
| I694218070A2T | 9 | 35 | 180 | 150.5 | 190 | 8 | TYS |