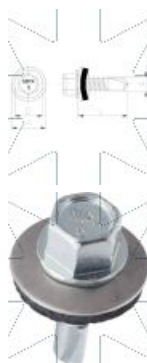


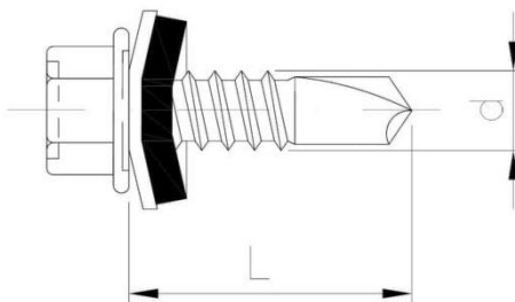
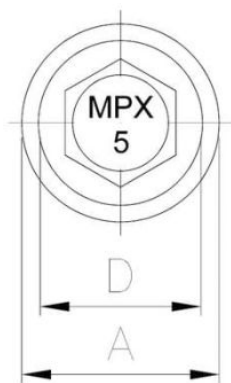
52.63
MPX
5

MPX 5 Bi-metalli porakärkiruuvi



Pinnoite tyyppi:

Materiaali:



SEND THE INQUIRY

+358 103 195 100

Standards:

ETA-18/0371



Dimensions

Material index	d [mm]	L [mm]	D [mm]	A [mm]	Materiaaleja	Pinnoite tyyppi
5263055032XH05T	5.5	32	11	-	Bi-Metal	Silver Ruspert
5263055038I16XH05T	5.5	38	11	16	Bi-Metal	Silver Ruspert
5263055050I14XH05T	5.5	50	11	14	Bi-Metal	Silver Ruspert
5263055050XH05T	5.5	50	11	-	Bi-Metal	Silver Ruspert
5263055025I14XH05T	5.5	25	11	14	Bi-Metal	Silver Ruspert
5263055025XH05T	5.5	25	11	-	Bi-Metal	Silver Ruspert
5263055050I16XH05T	5.5	50	11	16	Bi-Metal	Silver Ruspert
5263055032I14XH05T	5.5	32	11	14	Bi-Metal	Silver Ruspert
5263055038I14XH05T	5.5	38	11	14	Bi-Metal	Silver Ruspert
5263055038XH05T	5.5	38	11	-	Bi-Metal	Silver Ruspert
5263055025I16XH05T	5.5	25	11	16	Bi-Metal	Silver Ruspert
5263055032I16XH05T	5.5	32	11	16	Bi-Metal	Silver Ruspert