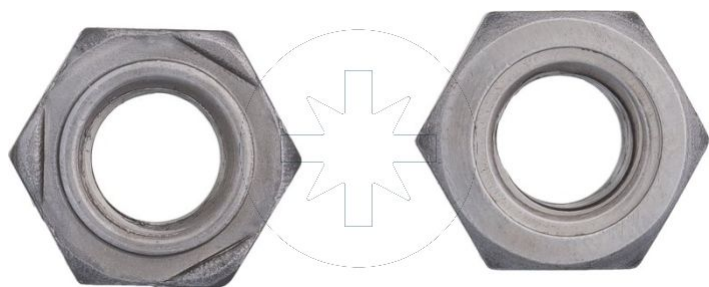
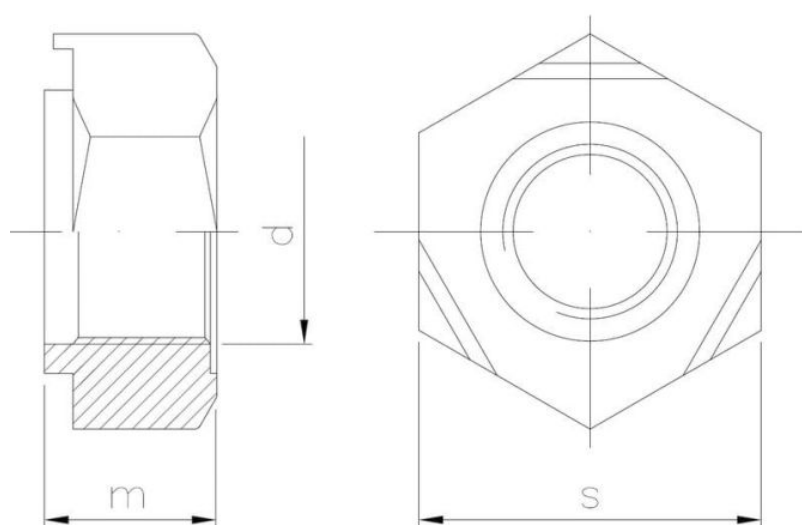


**Standards:**

DIN 929  
PN 82169



Pinnoite tyyppi:



**Dimensions**

| Material index | d   | m [mm] | s [mm] | Pinnoite tyyppi |
|----------------|-----|--------|--------|-----------------|
| 1521060SD929T  | M6  | 5.0    | 11.0   | S - surowy      |
| 1521120SD929T  | M12 | 10.0   | 19.0   | S - surowy      |
| 1521080SD929T  | M8  | 6.5    | 14.0   | S - surowy      |
| 1521040SD929T  | M4  | 3.5    | 9.0    | S - surowy      |
| 1521100SD929T  | M10 | 8.0    | 17.0   | S - surowy      |
| 1521160SD929T  | M16 | 13.0   | 24.0   | S - surowy      |