

52.67  
MPX  
12

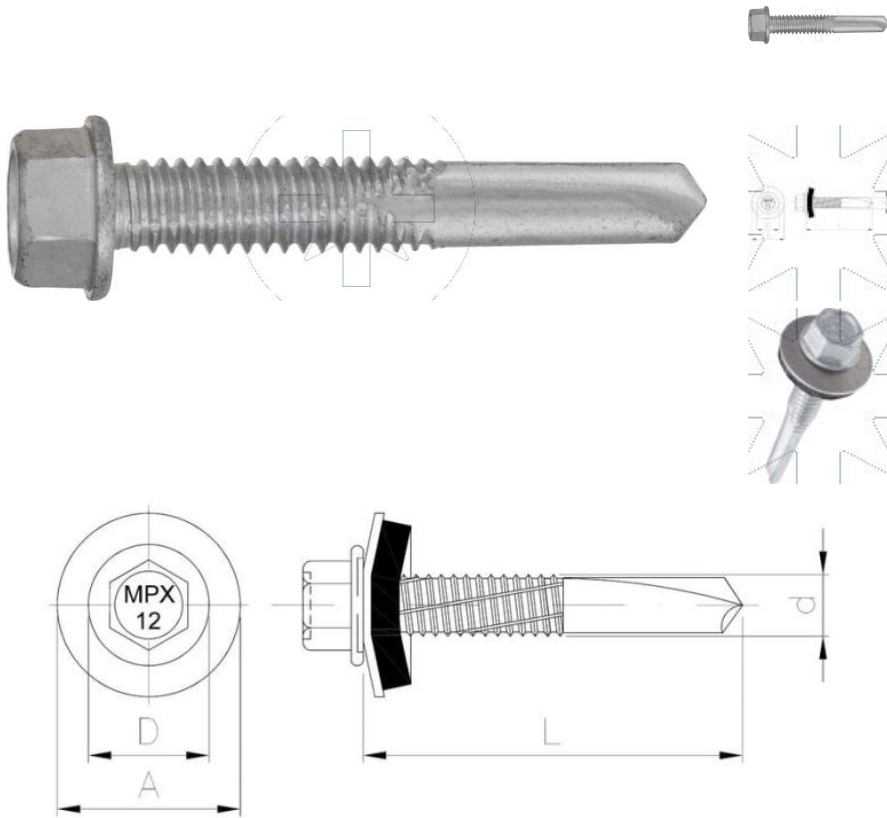
# MPX 12 Bi-metalli porakärkiruuvi

SEND THE INQUIRY

+358 103 195 100

**Standards:**

ETA-18/0371



Pinnoite tyyppi:

Materiaali:

## Dimensions

Material index	d [mm]	L [mm]	A [mm]	D [mm]	Materiaaleja	Pinnoite tyyppi
5267055040XH05T	5.5	40	-	11	Bi-Metal	Silver Ruspert
5267055040I14XH05T	5.5	40	14	11	Bi-Metal	Silver Ruspert
5267055040I16XH05T	5.5	40	16	11	Bi-Metal	Silver Ruspert