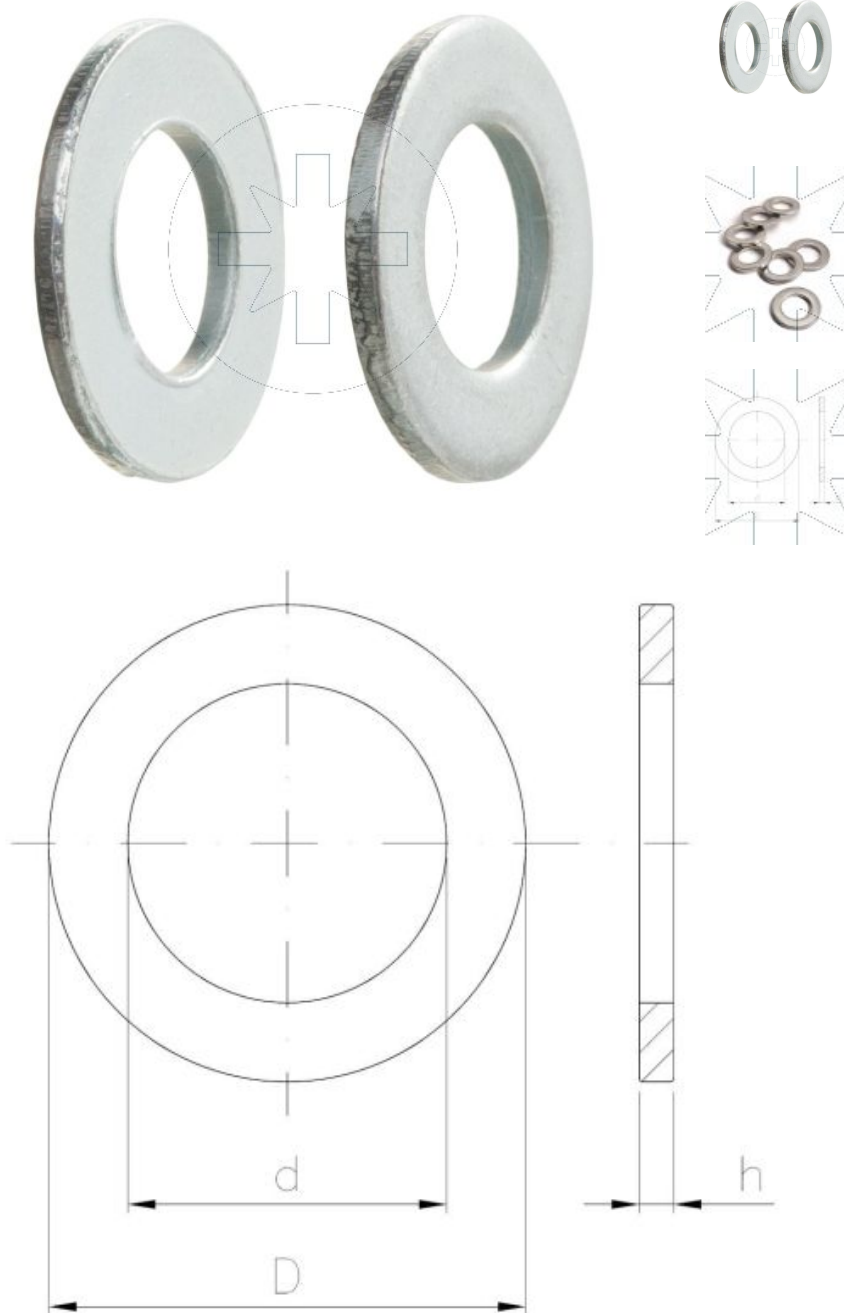


Standards:

DIN 125
GOST 11379-68
ISO 7089, ISO 7091
PN-M 82005

A2 **A4**

Materiaali:



Dimensions

Material index	d [mm]	D [mm]	h [mm]	Materiaaleja
I1401060A4D125T	6.4	12	1.6	A4 (stal kwasoodporna)
I1401120A4D125S	13.0	24	2.5	A4 (stal kwasoodporna)
I1401080A4D125T	8.4	16	1.6	A4 (stal kwasoodporna)
I1401160A4D125S	17.0	30	3.0	A4 (stal kwasoodporna)
I1401100A4D125S	10.5	20	2.0	A4 (stal kwasoodporna)
I1401050A4D125T	5.3	10	1.0	A4 (stal kwasoodporna)
I1401040A2D125T	4.3	9.0	0.8	A2 (stal nierdzewna)
I1401080A2D125T	8.4	16	1.6	A2 (stal nierdzewna)
I1401140A2D125S	15.0	28	2.5	A2 (stal nierdzewna)

Material index	d [mm]	D [mm]	h [mm]	Materiaaleja
I1401050A2D125T	5.3	10	1.0	A2 (stal nierdzewna)
I1401160A2D125T	17.0	30	3.0	A2 (stal nierdzewna)
I1401100A2D125T	10.5	20	2.0	A2 (stal nierdzewna)
I1401060A2D125T	6.4	12	1.6	A2 (stal nierdzewna)
I1401200A2D125T	21.0	37	3.0	A2 (stal nierdzewna)
I1401120A2D125S	13.0	24	2.5	A2 (stal nierdzewna)