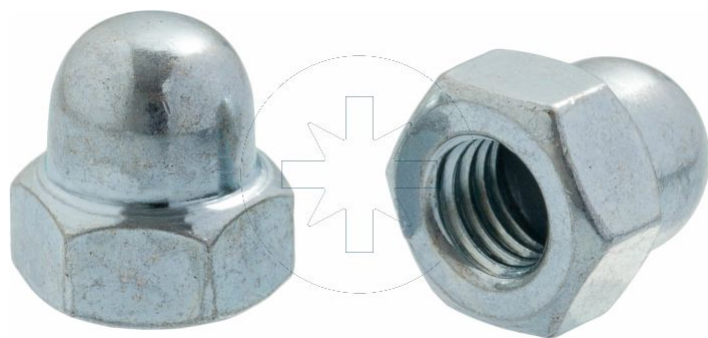


SEND THE INQUIRY

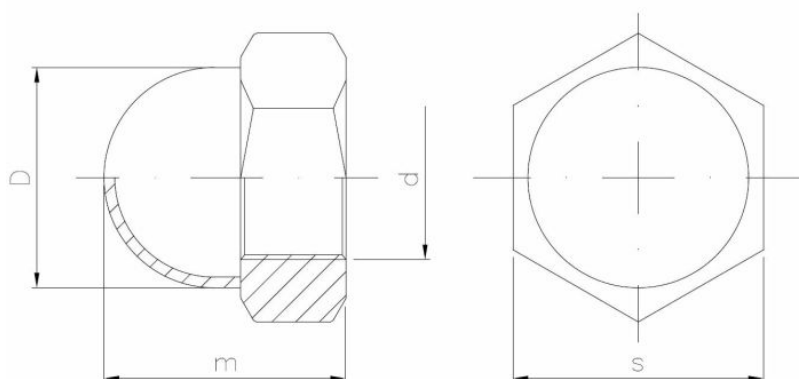
+358 103 195 100

Standards:DIN 1587
PN-M 82181

Pinnoite tyyppi:

BPOWŁOKA
CYNKOWA
BIAŁA

Pinnoite - pyynnöstä :

APOWŁOKA
CYNKOWA
ŻÓŁTA**C**POWŁOKA
CYNKOWA
CZARNĄ**Dimensions**

| Material index | d | D [mm] | m [mm] | s [mm] | Pinnoite tyyppi |
|----------------|-----|--------|--------|--------|-----------------|
| 1509030BT | M3 | 5.5 | 6.0 | 5.5 | B - ocynk biały |
| 1509040BT | M4 | 6.5 | 8.0 | 7.0 | B - ocynk biały |
| 1509050BT | M5 | 7.5 | 10.0 | 8.0 | B - ocynk biały |
| 1509060BD986T | M6 | 9.5 | 12.0 | 10.0 | B - ocynk biały |
| 1509060BT | M6 | 9.5 | 12.0 | 10.0 | B - ocynk biały |
| 1509080BD986T | M8 | 12.5 | 15.0 | 13.0 | B - ocynk biały |
| 1509080BT | M8 | 12.5 | 15.0 | 13.0 | B - ocynk biały |
| 1509100BT | M10 | 16.0 | 18.0 | 17.0 | B - ocynk biały |
| 1509120BT | M12 | 18.0 | 22.0 | 19.0 | B - ocynk biały |
| 1509140BS | M14 | 21.0 | 25.0 | 22.0 | B - ocynk biały |
| 1509160BS | M16 | 23.0 | 28.0 | 24.0 | B - ocynk biały |
| 1509200BD1587S | M20 | 28.0 | 34.0 | 30.0 | B - ocynk biały |