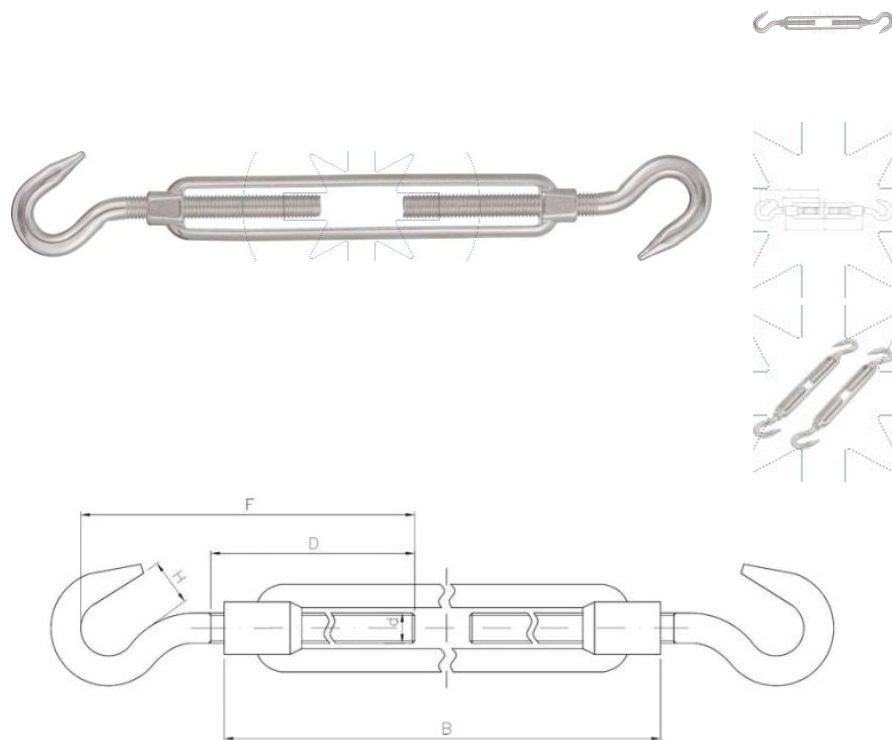




A4



Materiaali:

Dimensions

Material index	d	B [mm]	F [mm]	D [mm]	H [mm]	Nośność na rozciąganie [kN]
I6328040058A4ATS	M4	58	52	30	6	0.51
I6328050070A4ATS	M5	70	56	32	9	2.15
I6328080120A4ATS	M8	120	90	58	12.5	4.46
I6328100150A4ATS	M10	150	105	71	14	10.55
I6328120200A4ATS	M12	200	143	94	16	14.15
I6328160250A4ATS	M16	250	180	115	18	22.29
I6328200300A4ATS	M20	300	205	140	20	29.67