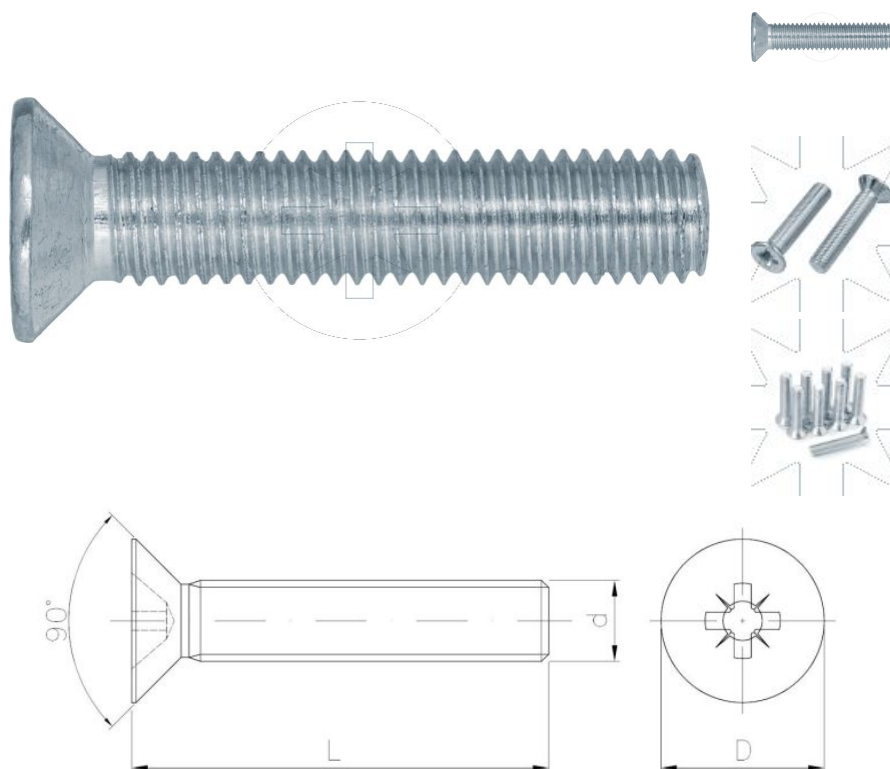


SEND THE INQUIRY

+358 103 195 100

Standards:DIN 965
ISO 7046
PN-M 82208

Materiaali:

A2 A4

**Dimensions**

Material index	d	L [mm]	D [mm]	Avainkolo	Materiaaleja
I1306040008HA2965T	M4	8	7.5	PH	A2 (stal nierdzewna)
I1306040016HA2965T	M4	16	7.5	PH	A2 (stal nierdzewna)
I1306040020HA2965T	M4	20	7.5	PH	A2 (stal nierdzewna)
I1306040025HA2965T	M4	25	7.5	PH	A2 (stal nierdzewna)
I1306040030HA2965T	M4	30	7.5	PH	A2 (stal nierdzewna)
I1306040040HA4965T	M4	40	7.5	PH	A4 (stal kwasoodporna)
I1306040060HA4965T	M4	60	7.5	PH	A4 (stal kwasoodporna)
I1306050010HA2965T	M5	10	9.2	PH	A2 (stal nierdzewna)
I1306050010HA4965T	M5	10	9.2	PH	A4 (stal kwasoodporna)
I1306050012HA2965T	M5	12	9.2	PH	A2 (stal nierdzewna)
I1306050016HA2965T	M5	16	9.2	PH	A2 (stal nierdzewna)
I1306050016HA4965T	M5	16	9.2	PH	A4 (stal kwasoodporna)
I1306050020HA2965T	M5	20	9.2	PH	A2 (stal nierdzewna)
I1306050020HA4965T	M5	20	9.2	PH	A4 (stal kwasoodporna)
I1306050025HA2965T	M5	25	9.2	PH	A2 (stal nierdzewna)
I1306050030HA2965T	M5	30	9.2	PH	A2 (stal nierdzewna)
I1306050030HA4965T	M5	30	9.2	PH	A4 (stal kwasoodporna)
I1306050040HA2965T	M5	40	9.2	PH	A2 (stal nierdzewna)
I1306050040HA4965T	M5	40	9.2	PH	A4 (stal kwasoodporna)

Material index	d	L [mm]	D [mm]	Avainkolo	Materiaaleja
I1306050050HA2965T	M5	50	9.2	PH	A2 (stal nierdzewna)
I1306050050HA4965T	M5	50	9.2	PH	A4 (stal kwasoodporna)
I1306050060HA2965T	M5	60	9.2	PH	A2 (stal nierdzewna)
I1306050060HA4965T	M5	60	9.2	PH	A4 (stal kwasoodporna)
I1306060010HA2965T	M6	10	11.0	PH	A2 (stal nierdzewna)
I1306060012HA2965T	M6	12	11.0	PH	A2 (stal nierdzewna)
I1306060012HA4965T	M6	12	11.0	PH	A4 (stal kwasoodporna)
I1306060016HA2965T	M6	16	11.0	PH	A2 (stal nierdzewna)
I1306060020HA2965T	M6	20	11.0	PH	A2 (stal nierdzewna)
I1306060020HA4965T	M6	20	11.0	PH	A4 (stal kwasoodporna)
I1306060025HA2965T	M6	25	11.0	PH	A2 (stal nierdzewna)
I1306060030HA2965T	M6	30	11.0	PH	A2 (stal nierdzewna)
I1306060030HA4965T	M6	30	11.0	PH	A4 (stal kwasoodporna)
I1306060035HA2965T	M6	35	11.0	PH	A2 (stal nierdzewna)
I1306060040HA2965T	M6	40	11.0	PH	A2 (stal nierdzewna)
I1306060040HA4965T	M6	40	11.0	PH	A4 (stal kwasoodporna)
I1306060050HA2965T	M6	50	11.0	PH	A2 (stal nierdzewna)
I1306060050HA4965T	M6	50	11.0	PH	A4 (stal kwasoodporna)
I1306060060HA2965T	M6	60	11.0	PH	A2 (stal nierdzewna)
I1306060080HA4965T	M6	80	11.0	PH	A4 (stal kwasoodporna)
I1306080016HA2965T	M8	16	14.5	PH	A2 (stal nierdzewna)
I1306080020HA2965T	M8	20	14.5	PH	A2 (stal nierdzewna)
I1306080020HA4965T	M8	20	14.5	PH	A4 (stal kwasoodporna)
I1306080025HA2965T	M8	25	14.5	PH	A2 (stal nierdzewna)
I1306080030HA2965T	M8	30	14.5	PH	A2 (stal nierdzewna)
I1306080040HA2965T	M8	40	14.5	PH	A2 (stal nierdzewna)
I1306080050HA2965T	M8	50	14.5	PH	A2 (stal nierdzewna)